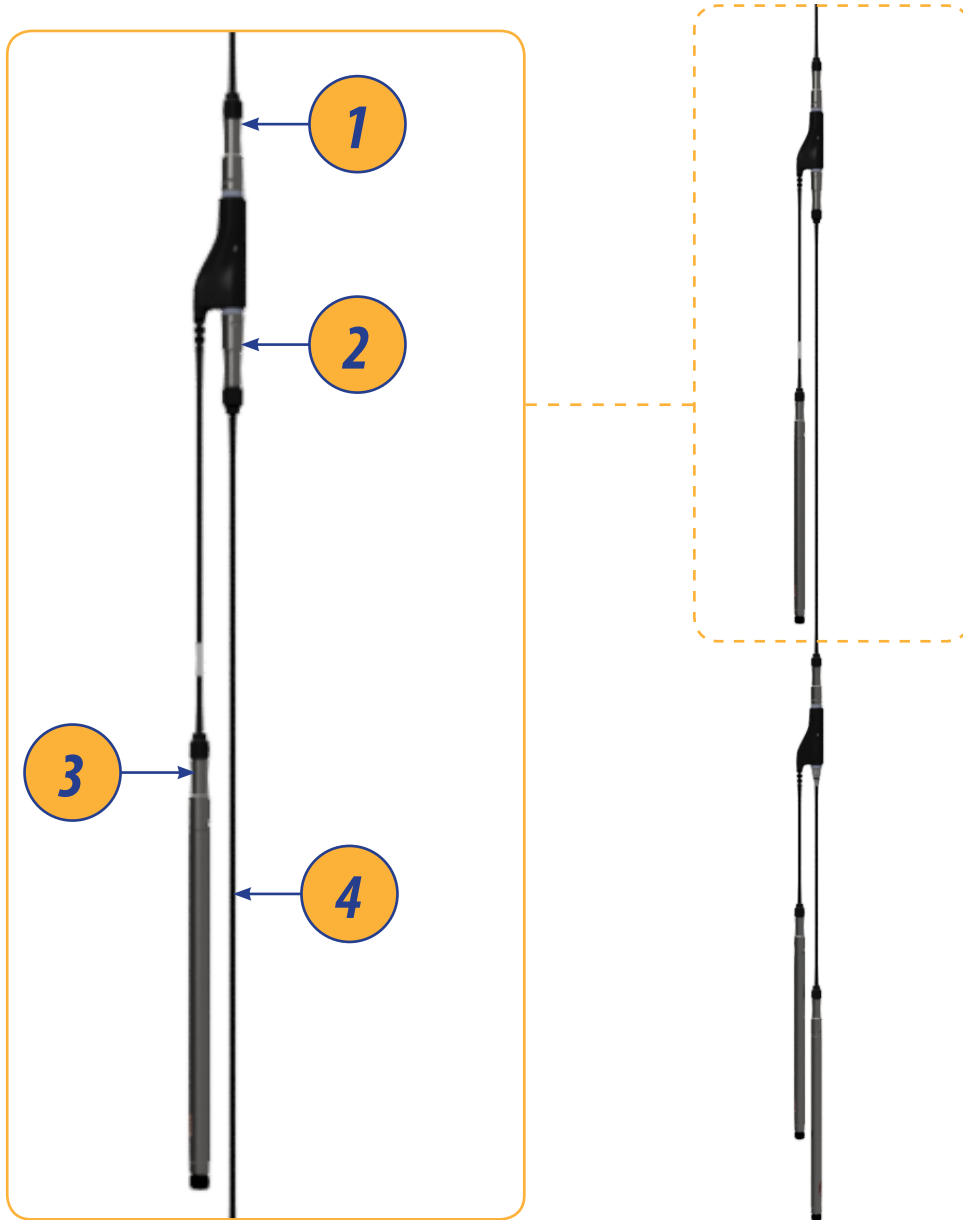




# IN-SITU®

Rugged Cable Splitter



1	Cable Splitter up hole connector - male connector
2	Cable Splitter down hole connector - male connector
3	Cable Splitter instrument connection - female connector
4	Cable to next splitter or final instrument

Information subject to change without notice. In-Situ, In-Situ logo, Baro Merge, BaroTROLL, HERMIT, HydroVu™, iSitu, Pocket-Situ, RDO, RuggedCable, RuggedReader, SmarTROLL™, TROLL, VuSitu, and Win-Situ are trademarks or registered trademarks of In-Situ Inc.©2016. All rights reserved. This product may be covered by patents identified at [www.in-situ.com/patents](http://www.in-situ.com/patents)

## Application

### Non-vented

Use the *non-vented* Rugged Cable Splitter to deploy and communicate with multiple instruments on a single string of Rugged Cables.

### Vented

You can deploy the *vented* Rugged Cable Splitter with a combination of vented and non-vented instruments. Attach vented **or** non-vented cables and instruments to the splitter's female connector. Use only non-vented instruments on the splitter's male down-hole connector.



You must attach a vented cable to the splitter's up-hole connector when using vented cables and instruments on the female connector.



Do not combine more than 8 Rugged Cable Splitters on a single cable. Use a vented splitter at the top of the water column when deploying multiple vented instruments.



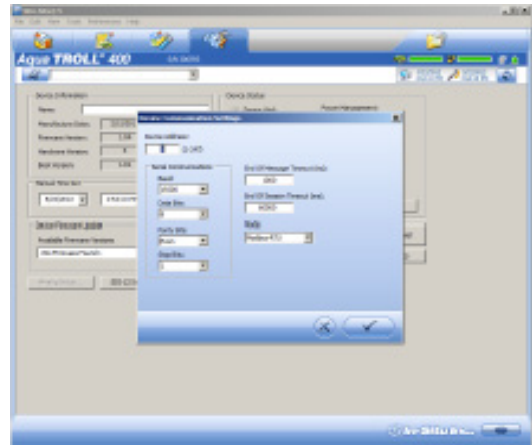
Always deploy an instrument on the female connector with the female connector oriented down.

## Changing the device address

Networking multiple Level TROLL, Aqua TROLL, Rugged TROLL, or RDO PRO Instruments requires each device to have a unique device address.

Complete the following steps with the instrument connected to the software.

- 1 Click the **Device Setup** tab.
- 2 Click the **Modbus Setup** button.
- 3 Select the **Device Address** box and change the number to the desired value, making sure to not duplicate an address within the network.
- 4 Click the check mark to save changes. Click **Yes** when asked to proceed.



- 5 Click **No** when prompted to save the changes as the new default settings.



You must change Win-Situ Software communication settings to match the device address next time you connect the instrument.

## Specifications

Materials	Viton®, polyurethane, titanium, ULTEM™
Environmental rating	IP68
Pressure rating	300 PSI
Break strength	127 kg (280 lbs) maximum on down hole male connector 22.67 kg (50 lbs) maximum on down hole female connector (instrument connection)
Dimensions	500 mm (19.69 in.) total length 42.7 mm (1.68 in.) maximum width 18.5 mm (0.73) connector diameter
Cable extension	Black polyurethane, 400 mm (15.7 in.) long
Conductors	6 conductors, 24 AWG, polypropylene insulation
Operating temperature	-25° to 55° C (-13 to 131° F)
Warranty	One year from date of purchase